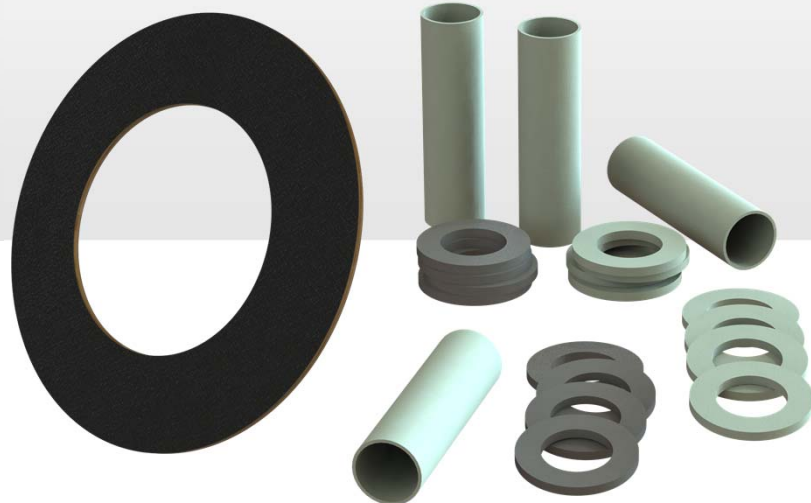


PRODUCT DATASHEET

ISOPRO™-NFP Isolation Kit

ISOPRO™-NFP is a flange isolation gasket made with phenolic core and nitrile facings



Service:

Suitable for use in applications involving hot and cold water, steam, oils, fuels, gases and a wide range of general chemicals.

Availability:

All ANSI, ASME B16.5, and AWWA sizes. Pressure class up to 900#.

Thickness: 1/8"

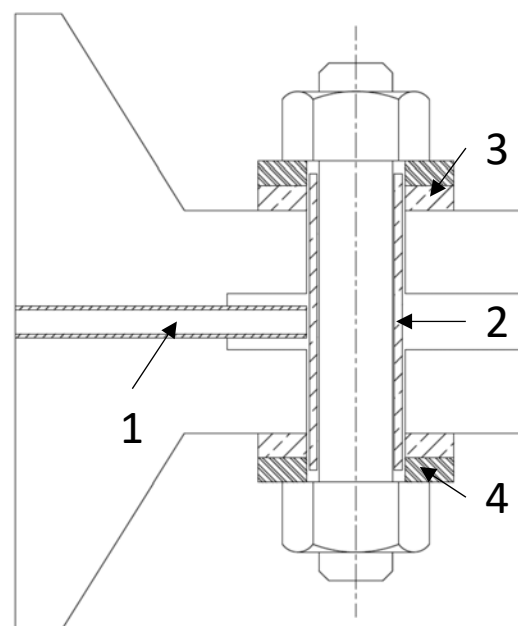
Color: Black

Recommended Temperature Range:

-65°F (-54°C) to 250°F (121°C)

Isolation Kit Components:

1. **Isolation Gasket** – ISOPRO™-NFP isolation gasket. Phenolic core with nitrile facing material
2. **Isolation Sleeves** – Mylar, Nylon, Phenolic, PTFE, G10, or G11
3. **Isolation Washers** – Phenolic, G10, or G11
4. **Metallic Washers** – Zinc plated carbon steel



Typical Phenolic Physical Properties:

Properties	Test Standard	Typical Value	Unit
Flexural Strength	ASTM D790	14.5	ksi
Compressive Strength	ASTM D695	29	ksi
Breakdown Voltage	ASTM D149	15	kV

This data sheet refers to the material as supplied. The information contained herein is given in good faith, but no liability will be accepted by the Company in relation to same.

We reserve the right to change the details given on this data sheet as additional information is acquired. Customers requiring the latest version of this data sheet should contact our Applications Engineering Department.

The information given and, in particular, any parameters, should be used for guidance purposes only. The company does not give any warranty that the product will be suitable for the use intended by the customer.