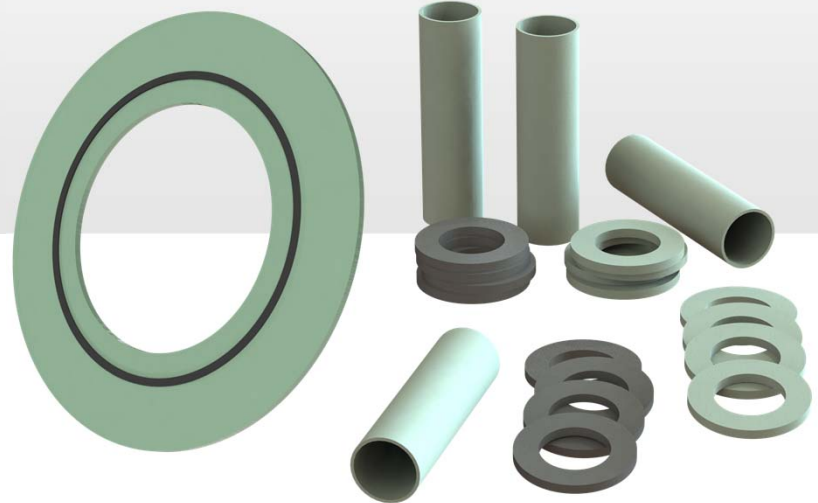


PRODUCT DATASHEET

ISOPRO™-IP Isolation Kit

ISOPRO™-IP is a flange isolation gasket made with NEMA grade glass-reinforced epoxy (GRE) and soft sealing elements



Service:

Suitable for use in applications involving hot and cold water, steam, oils, fuels, gases and a wide range of general chemicals.

Availability:

All ANSI, ASME B16.5, and AWWA sizes. Pressure class up to 900#.

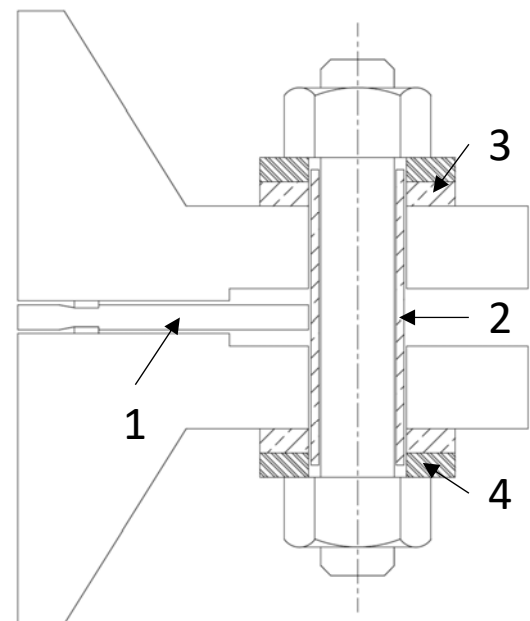
Base ring available in NEMA grade G10 and G11. Seals available in Nitrile, Viton, and PTFE.



Thickness: 1/8"
Color: Green

Isolation Kit Components:

1. **Isolation Gasket** – ISOPRO™-IP isolation gasket. G10 or G11 base ring with soft seals
2. **Isolation Sleeves** – Mylar, Nylon, Phenolic, PTFE, G10, or G11
3. **Isolation Washers** – Phenolic, G10, or G11
4. **Metallic Washers** – Zinc plated carbon steel



PRODUCT DATASHEET

Recommended Temperature Range:

Base Ring/Seal Material	Minimum Temperature °F (°C)	Maximum Temperature °F (°C)
G10/Nitrile	-65 (-54)	250 (121)
G10/Viton	-20 (-29)	302 (150)
G10/PTFE	Cryogenic	302 (150)
G11/Nitrile	-65 (-54)	250 (121)
G11/Viton	-20 (-29)	350 (177)
G11/PTFE	Cryogenic	392 (200)

Typical GRE Base Ring Physical Properties:

Properties	Test Standard	Typical Value	Unit
Breakdown Voltage	ASTM D149	45	kV
Dielectric Strength	ASTM D149	550	V/mil
Impact Strength	ASTM D256	12	ft-lb/in
Flexural Strength	ASTM D790	55	ksi
Tensile Strength	ASTM D638	50	ksi
Compressive Strength	ASTM D695	50	ksi
Shear Strength	ASTM D732	22	ksi
Water Absorption	ASTM D570	0.1	%

This data sheet refers to the material as supplied. The information contained herein is given in good faith, but no liability will be accepted by the Company in relation to same.

We reserve the right to change the details given on this data sheet as additional information is acquired. Customers requiring the latest version of this data sheet should contact our Applications Engineering Department.

The information given and, in particular, any parameters, should be used for guidance purposes only. The company does not give any warranty that the product will be suitable for the use intended by the customer.