

Garlock KLOZURE® GMP-II

Double cartridge seal

The GMP-II double balanced cartridge seal incorporates a compact design with proven sealing technology. The result is a high-quality, cost-effective seal designed for use on a wide variety of rotary equipment applications.

BENEFITS

Easy-to-install double cartridge design

- » Balanced configuration runs cooler and lasts longer
- » Cost-effective rebuild kits for easy in-field repair and reduced downtime
- » Fits standard ANSI pumps—no modification required
- » Stationary compression units offer improved face alignment and extended seal life
- » Minimal distance to first obstruction; fits a wide range of pumps

DESIGN PARAMETERS

- » Pressure: To 300 psi (20 bar)
- » Vacuum: 28" (711 mm) Hg
- » Temperature: To 400°F (204°C)
- » Surface speed: To 5,000 fpm (25.4 m/s)
- » Runout: Consult KLOZURE
- » Axial motion: Consult KLOZURE

MATERIALS

- » Metallurgy: 316SS and Alloy 20
- » Rotary faces: Silicon carbide (SA)
- » Stationary faces: Inboard: chemical grade carbon; tungsten carbide; Outboard: chemical grade carbon
- » Springs: Hastelloy C[†]
- » O-rings: Fluoroelastomer standard, Aflas or Kalrez offered as alternative

Other material available. Consult KLOZURE.

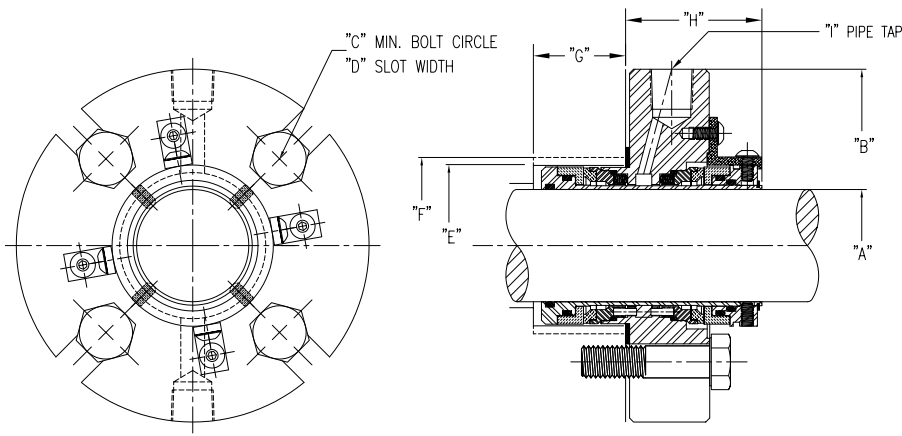
* Aflas is a trademark of Asahi Glass Company.

† Kalrez is a registered trademark of DuPont.

‡ Hastelloy C is a registered trademark of Haynes International.



GARLOCK KLOZURE GMP-II



"STANDARD" GMP-II DIMENSIONS

A Shaft Dia. +.000 -.002	B Gland ID	C Min. Dia. Bolt Circle	D Slot Width	E GMP Rotary OD	F		G		H	I Pipe Port
					Box Bore		Minimum		to First Obstr.	
					Min.	Max.	Box Bore Depth			
1.000	4.000	2.750	.0437	1.575	1.625	2.000	1.437	2.125	1/4 NPT	
1.125	4.000	2.875	0.562	1.700	1.750	2.062	1.437	2.125	1/4 NPT	
1.250	4.000	3.000	0.562	1.825	1.875	2.187	1.437	2.125	1/4 NPT	
1.375	4.000	3.250	0.562	1.950	2.000	2.312	1.437	2.125	1/4 NPT	
1.500	5.000	3.375	0.562	2.200	2.250	2.500	1.437	2.125	1/4 NPT	
1.625	5.000	3.500	0.562	2.325	2.375	2.625	1.437	2.125	3/8 NP	
1.750	5.500	3.625	0.562	2.450	2.500	2.750	1.437	2.125	3/8 NP	
1.875	5.500	3.750	0.562	2.575	2.625	2.875	1.437	2.125	3/8 NP	
2.000	5.500	3.875	0.562	2.700	2.750	3.000	1.437	2.125	3/8 NP	
2.125	6.000	4.250	0.687	2.825	2.875	3.187	1.437	2.125	3/8 NP	
2.250	6.500	4.500	0.687	2.950	3.000	3.375	1.437	2.125	3/8 NP	
2.375	6.500	4.750	0.687	3.187	3.250	3.687	1.687	2.250	3/8 NP	
2.500	6.500	5.000	0.687	3.312	3.375	3.937	1.687	2.250	3/8 NP	
2.625	6.500	5.500	0.687	3.437	3.500	4.437	1.687	2.250	3/8 NP	
2.750	7.000	6.000	0.687	3.625	3.750	4.875	1.687	2.250	3/8 NP	
2.875	7.500	6.000	0.687	3.750	3.875	4.875	1.687	2.250	3/8 NP	
3.000	7.500	6.000	0.812	3.875	4.000	4.812	1.625	2.562	3/8 NP	
3.250	7.500	6.250	0.812	4.125	4.250	4.937	1.625	2.562	3/8 NP	
3.500	8.500	6.500	0.812	4.375	4.500	5.187	1.625	2.562	3/8 NP	
3.750	8.500	6.750	0.812	4.625	4.750	5.437	1.625	2.562	3/8 NP	
3.875	8.500	6.750	0.812	4.750	4.875	5.437	1.625	2.562	3/8 NP	
4.000	9.000	7.000	0.812	4.875	5.000	5.750	1.625	2.562	3/8 NP	
4.250	9.000	7.250	0.812	5.125	5.250	6.000	1.625	2.562	3/8 NP	
4.500	9.000	7.500	0.812	5.375	5.500	6.250	1.625	2.562	3/8 NP	
4.750	9.250	8.000	0.812	5.625	5.750	6.562	1.625	2.562	3/8 NP	
5.000	9.500	8.250	0.812	5.875	6.000	6.687	1.625	2.562	3/8 NP	

Materials of construction will vary depending on application. Contact Garlock for recommendation.

KLZ 2:71 | 07.2016

GARLOCK
an *EnPro* Industries family of companies
Tel: 1-877-GARLOCK / 315.597.4811
Fax: 800.543.0598 / 315.597.3216
www.garlock.com

Garlock
GPT
Garlock Australia
Garlock do Brasil

Garlock de Canada, LTD
Garlock China
Garlock Singapore
Garlock Germany
Garlock India Private Limited

Garlock de Mexico, S.A. De C.V.
Garlock New Zealand
Garlock Great Britain Limited
Garlock Middle East