

Garlock KLOZURE® P/S®-II

Flexible GYLON® element cartridge seal

BENEFITS

- » GYLON® sealing elements
 - › are non-clogging/non-sticking in viscous fluids
 - › offer excellent chemical resistance and dry running capability
- » Unique multi-lip cartridge design
 - › is unaffected by axial end play, intermittent operation or torque
 - › permits pump reversal
- » Machined gland is very versatile; designed to fit the equipment
- » Hard coated sleeve prevents damage to equipment
- » Rebuild kit available for easy in-field repair
- » One moving part, no springs to clog

IDEAL FOR

- » Rotary valves
- » Positive displacement pumps:
 - › Viking
 - › Roper
 - › Moyne
 - › Tuthill
 - › Blackmer
 - › Many others

DESIGN PARAMETERS

- » Pressure: to 150 psi (10 bar)
- » Vacuum: 28" (711mm) Hg with proper design
- » Temperature: to 300°F (148.8°C); over 300°F, consult KLOZURE Mechanical Seals
- » Surface speed: to 700 fpm (3.5 m/s) dry; to 2,500 fpm (12.7 m/s) with lubrication
- » Runout: up to 0.005" (0.13mm) TIR
- » Axial motion: ±0.125" (3.2mm)



TYPICAL APPLICATIONS

- | | | |
|-------------|------------------|------------|
| » Adhesive | » Glue | » Sealants |
| » AFFF | » Ink | » Soaps |
| » Asphalt | » Latex | » Starch |
| » Chocolate | » Molasses | » Syrups |
| » Emulsions | » Oil | » Tallow |
| » Fats | » Paints | » Tar |
| » Fructose | » Paper coatings | » Varnish |
| » Fuels | » Polymer resins | » Wax |

MATERIALS

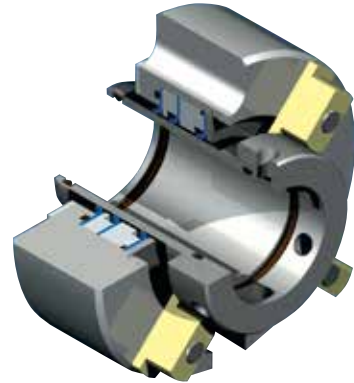
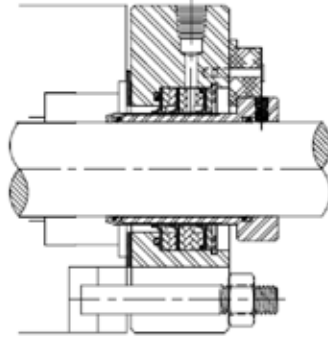
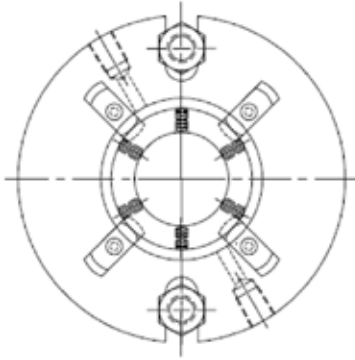
- » Metal parts: 316SS (other materials available)
- » Set screws: Hastelloy C*
- » O-rings: Fluoroelastomer standard (other materials optional)
- » Sealing elements: GYLON®
- » Sleeve coating: Chrome oxide standard (other coatings optional)

*Hastelloy C is a registered trademark of Haynes International. Other material available. Consult KLOZURE.

GARLOCK KLOZURE P/S®-II

STANDARD 3-LIP DESIGN WITH QUENCH PORTS

Round, elliptical and other special gland configurations available



TYPICAL VIKING MODELS

- | | | | |
|------|------|------|------|
| » G | » KK | » LS | » Q |
| » H | » L | » M | » QR |
| » HL | » LL | » N | » QS |
| » K | » LQ | » P | » R |

TYPICAL TUTHILL MODELS

- | | |
|---------|---------|
| » GG015 | » GG030 |
| » GG050 | » GG070 |
| » GG080 | » GG090 |
| » GG120 | » GG130 |
| » GG200 | » GG210 |

TYPICAL BLACKMER MODELS

- | | |
|--------------|--------|
| » SNP1¼ & 1½ | » NP3 |
| » SNP2 | » SNP3 |
| » NP1½ | » MLN4 |
| » NP2 | » NP4 |
| » NP2½ | » SLN4 |

TYPICAL DESMI-ROTAN MODELS

- | | |
|-------|-------|
| » 51 | » 151 |
| » 66 | » 152 |
| » 81 | » 201 |
| » 101 | » 202 |
| » 126 | |

KLZ 2:67 | 09.2016

GARLOCK

an *EnPro* Industries family of companies

Tel: 1-877-GARLOCK / 315.597.4811

Fax: 800.543.0598 / 315.597.3216

www.garlock.com

Garlock

GPT

Garlock Australia

Garlock do Brasil

Garlock de Canada, LTD

Garlock China

Garlock Singapore

Garlock Germany

Garlock India Private Limited

Garlock de Mexico, S.A. De C.V.

Garlock New Zealand

Garlock Great Britain Limited

Garlock Middle East