

# Garlock KLOZURE® P/S®-II

Seals for Viking® Pumps

## BENEFITS

- » Unique multi-lip cartridge seal is easy to install
- » Wet or dry operation
- » GYLON® sealing elements allow versatile environmental capability
- » Anti-stick sealing components are non-clogging in viscous fluids
- » One moving part, no springs to clog
- » Rebuild kit available for easy in-field repair

## DESIGN PARAMETERS

- » Pressure: to 150 psi (10 bar)
- » Vacuum: 28" (711mm) Hg with proper design
- » Temperature: to 300°F (148.8°C); over 300°F, consult KLOZURE® Mechanical Seals
- » Surface speed: to 700 fpm (3.5 m/s) dry; to 2,500 fpm (12.7 m/s) with lubrication
- » Runout: up to 0.005" (0.13mm) TIR
- » Axial motion: ±0.125" (3.2mm)

## TYPICAL VIKING MODELS

- |      |      |      |      |
|------|------|------|------|
| » G  | » KK | » LS | » Q  |
| » H  | » L  | » M  | » QR |
| » HL | » LL | » N  | » QS |
| » K  | » LQ | » P  | » R  |



## MATERIALS

- » Metal parts: 316SS (other materials available)
- » Set screws: Hastelloy C\*
- » O-rings: Fluoroelastomer standard (other materials optional)
- » Sealing elements: GYLON®
- » Sleeve coating: Chrome oxide standard (other coatings optional)

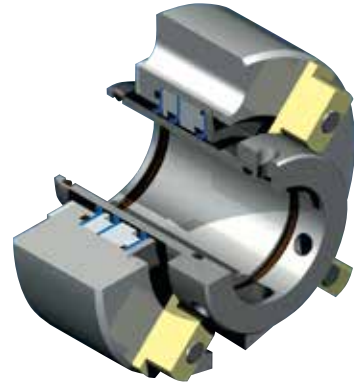
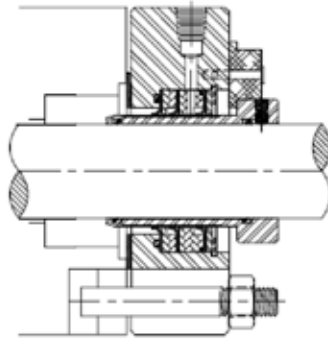
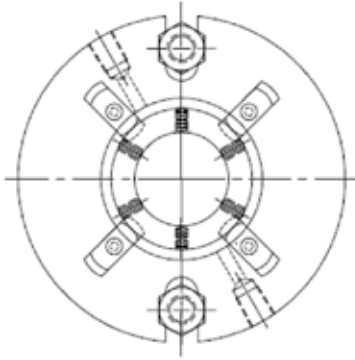
Contact KLOZURE® for additional performance and installation data.

GYLON® is a registered trademark of Garlock  
VIKING® is a registered trademark of Viking Pump, Inc.  
\* Hastelloy C is a registered trademark of Haynes International

## GARLOCK KLOZURE P/S®-II FOR VIKING PUMPS

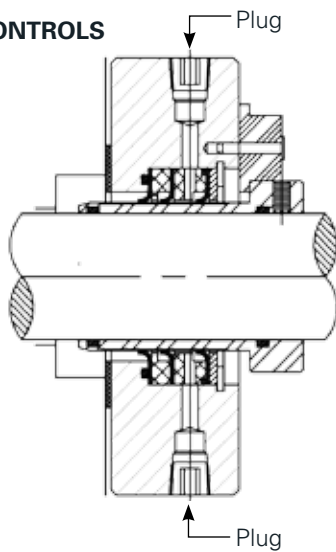
### STANDARD 3-LIP DESIGN WITH QUENCH PORTS

Round, elliptical and other special gland configurations available

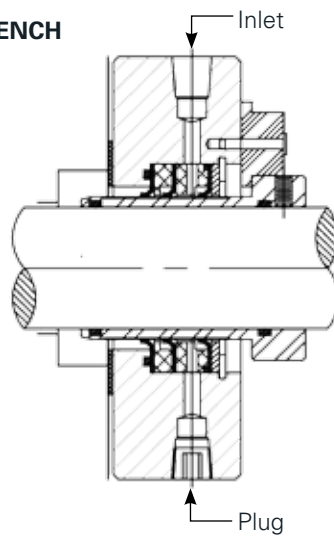


### ENVIRONMENTAL CONTROL OPTIONS

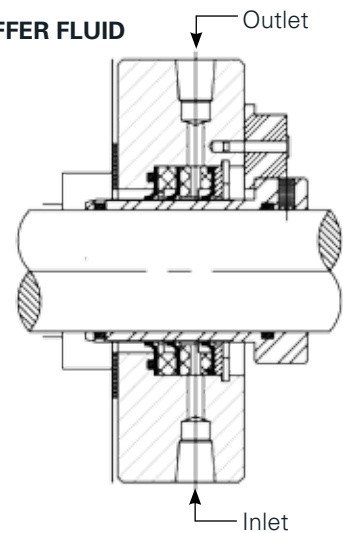
#### NO CONTROLS



#### QUENCH



#### BUFFER FLUID



KLZ 2:69 | 01.2017

#### GARLOCK

an *EnPro* Industries family of companies

Tel: 1-877-GARLOCK / 315.597.4811

Fax: 800.543.0598 / 315.597.3216

[www.garlock.com](http://www.garlock.com)

Garlock

GPT

Garlock Australia

Garlock de Canada, LTD

Garlock China

Garlock Singapore

Garlock Germany

Garlock India Private Limited

Garlock de Mexico, S.A. De C.V.

Garlock New Zealand

Garlock Great Britain Limited

Garlock Middle East