

# Garlock KLOZURE® GMP-I

## Single cartridge seal

The GMP-I balanced single cartridge seal provides the user with many features found on more expensive seals. Incorporating a cost-effective cartridge design, this versatile seal is available in a range of materials, making it ideal for a wide range of applications.

### BENEFITS

- » Preassembled cartridge is easy to install
- » Balanced internal design runs cooler and provides longer seal life
- » Fits standard ANSI pumps—no modification required
- » Rebuild kit available for easy in-field repair and reduced downtime.
- » Attached setting clips prevent lost parts or damage to equipment
- » Minimal distance to first obstruction; dimensionally compatible with a wide range of bearing protectors
- » Stationary springs allow better face/seat alignment

### DESIGN PARAMETERS

- » Pressure: To 300 psi (20 bar)
- » Vacuum: 28" (711 mm) Hg
- » Temperature: To 400°F (204°C)
- » Surface speed: To 5,000 fpm (25.4 m/s)
- » Runout: Consult KLOZURE® applications engineering
- » Axial motion: Consult KLOZURE® applications engineering



### MATERIALS

- » Metallurgy: 316SS and Alloy 20
- » Rotary face: Silicon carbide (SA)
- » Stationary face: Chemical grade carbon; tungsten carbide
- » Springs: Hastelloy C<sup>†</sup>
- » O-rings: Fluoroelastomer standard, Aflas or Kalrez offered as alternative

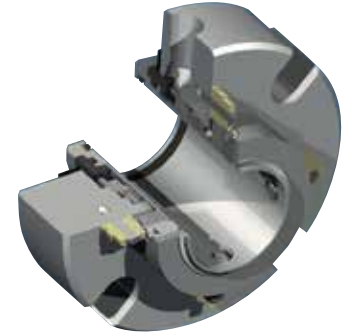
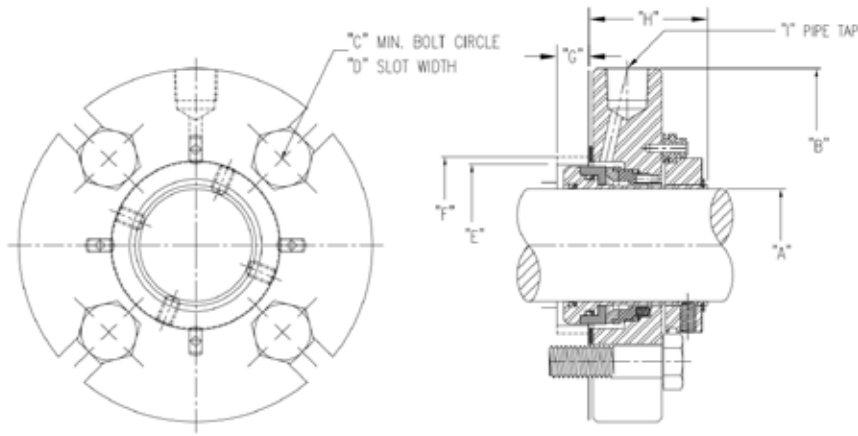
Other material available. Consult KLOZURE® applications engineering

\* Aflas is a trademark of Asahi Glass Company.

† Kalrez is a registered trademark of DuPont.

‡ Hastelloy C is a registered trademark of Haynes International.

## GARLOCK KLOZURE GMP-I



### “STANDARD” GMP-I DIMENSIONS

A Shaft Dia. +.000 -.002	B Gland OD	C Min. Dia. Bolt Circle	D Slot Width	E GMP Rotary OD	F Box Bore		G Minimum		I Pipe Port
					Min.	Max.	Box Bore Depth	to First Obstr.	
1"	4.000	2.750	.0437	1.575	1.625	2.000	0.500	1.875	1/4 NPT
1 1/8"	4.000	2.875	0.562	1.700	1.750	2.062	0.500	1.875	1/4 NPT
1 1/4"	4.000	3.000	0.562	1.825	1.875	2.187	0.500	1.875	1/4 NPT
1 3/8"	4.000	3.250	0.562	1.950	2.000	2.312	0.500	1.875	1/4 NPT
1 1/2"	5.000	3.375	0.562	2.200	2.250	2.500	0.500	1.875	1/4 NPT
1 5/8"	5.000	3.500	0.562	2.325	2.375	2.625	0.500	1.875	3/8 NP
1 3/4"	5.500	3.625	0.562	2.450	2.500	2.750	0.500	1.875	3/8 NP
1 7/8"	5.500	3.750	0.562	2.575	2.625	2.875	0.500	1.875	3/8 NP
2"	5.500	3.875	0.562	2.700	2.750	3.000	0.500	1.875	3/8 NP
2 1/8"	6.000	4.250	0.687	2.825	2.875	3.187	0.500	1.875	3/8 NP
2 1/4"	6.500	4.500	0.687	2.950	3.000	3.375	0.500	1.875	3/8 NP
2 3/8"	6.500	4.750	0.687	3.187	3.250	3.687	0.500	2.000	3/8 NP
2 1/2"	6.500	5.000	0.687	3.312	3.375	3.937	0.500	2.000	3/8 NP
2 5/8"	6.500	5.500	0.687	3.437	3.500	4.437	0.500	2.000	3/8 NP
2 3/4"	7.000	6.000	0.687	3.625	3.750	4.875	0.500	2.000	3/8 NP
2 7/8"	7.500	6.000	0.687	3.750	3.875	4.875	0.500	2.000	3/8 NP
3"	7.500	6.000	0.812	3.875	4.000	4.812	0.500	2.000	3/8 NP
3 1/4"	7.500	6.250	0.812	4.125	4.250	4.937	0.500	2.000	3/8 NP
3 1/2"	8.500	6.500	0.812	4.375	4.500	5.187	0.500	2.000	3/8 NP
3 3/4"	8.500	6.750	0.812	4.625	4.750	5.437	0.500	2.000	3/8 NP
3 7/8"	8.500	6.750	0.812	4.750	4.875	5.437	0.500	2.000	3/8 NP
4"	9.000	7.000	0.812	4.875	5.000	5.750	0.500	2.312	3/8 NP
4 1/4"	9.000	7.250	0.812	5.125	5.250	6.000	0.500	2.312	3/8 NP
4 1/2"	9.000	7.500	0.812	5.375	5.500	6.250	0.500	2.312	3/8 NP
4 3/4"	9.250	8.000	0.812	5.625	5.750	6.562	0.500	2.312	3/8 NP
5"	9.500	8.250	0.812	5.875	6.000	6.687	0.500	2.312	3/8 NP

Materials of construction will vary depending on application. Contact Garlock for recommendation.

KLZ 2:70 | 04/2016

**GARLOCK**  
an *EnPro* Industries family of companies  
Tel: 1-877-GARLOCK / 315.597.4811  
Fax: 800.543.0598 / 315.597.3216  
www.garlock.com

Garlock  
GPT  
Garlock Australia  
Garlock do Brasil

Garlock de Canada, LTD  
Garlock China  
Garlock Singapore  
Garlock Germany  
Garlock India Private Limited

Garlock de Mexico, S.A. De C.V.  
Garlock New Zealand  
Garlock Great Britain Limited  
Garlock Middle East